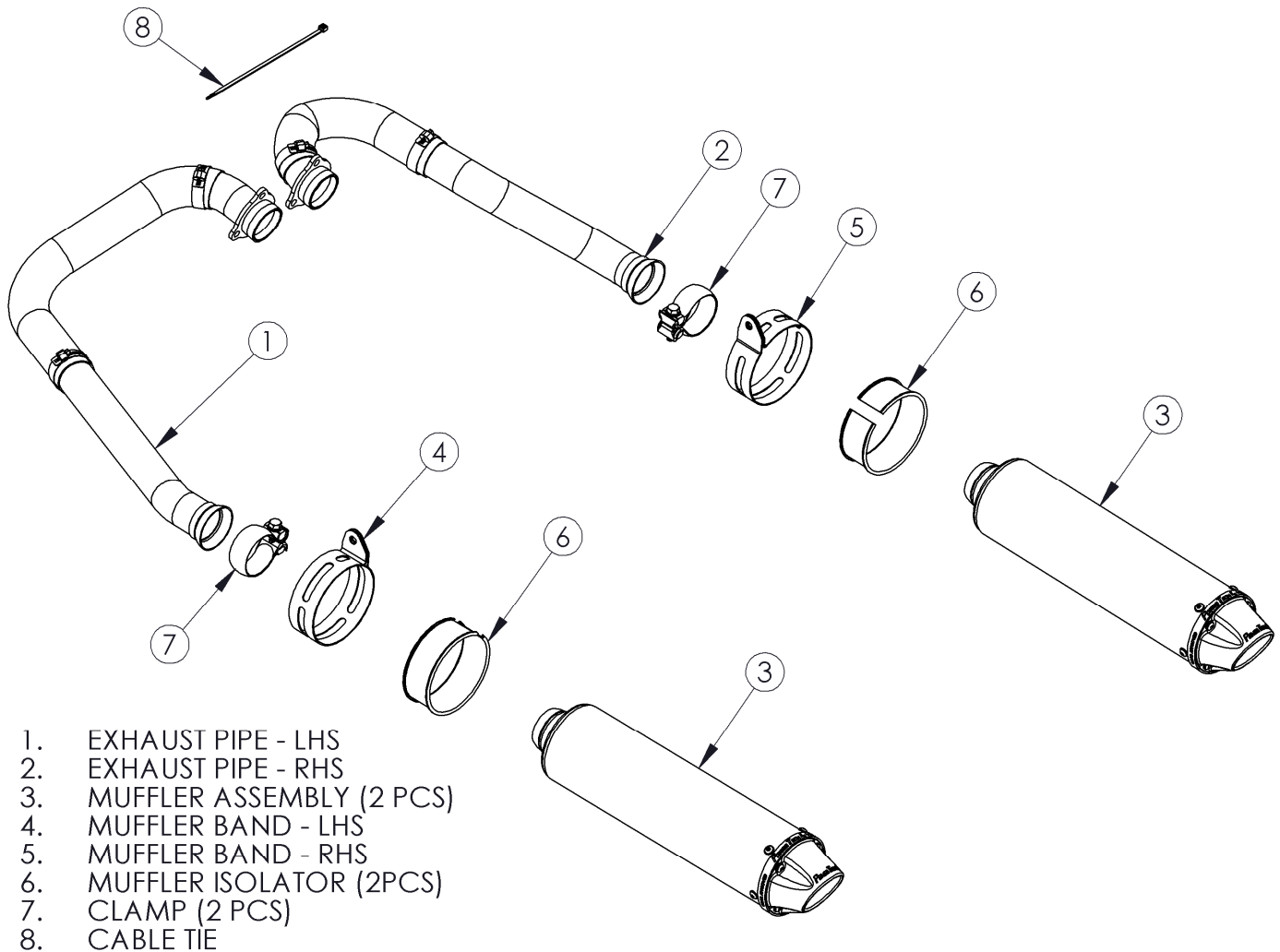


AT-9514PT
DUAL EXHAUST SYSTEM
2011-2014 POLARIS RZR 900XP

MBRP
POWERSPORTS



1. EXHAUST PIPE - LHS
2. EXHAUST PIPE - RHS
3. MUFFLER ASSEMBLY (2 PCS)
4. MUFFLER BAND - LHS
5. MUFFLER BAND - RHS
6. MUFFLER ISOLATOR (2PCS)
7. CLAMP (2 PCS)
8. CABLE TIE

PLEASE READ BEFORE STARTING INSTALLATION

While MBRP Inc. has made every effort to ensure that all components of this system are of superior quality and properly packaged, it is the installer's responsibility to ensure the following before removal of the factory exhaust:

- that ALL components shown above are present.
- that ALL mating components fit together.
- that there are no damaged components.
- that the system you have purchased is appropriate for your year and model of SXS.
- that the system will not interfere with any modifications previously installed or planned.
- that you have read and understand these instructions.

If you have any questions or are uncertain about any aspect of the installation of this system to your SXS please contact your dealer before commencing installation.

Removal of Stock Exhaust:

1. Remove the springs securing the muffler inlet to the exhaust pipe. Do not discard the springs.
2. Remove the springs attached to the support bracket on the bottom of the muffler. Do not discard the springs.
3. Remove the muffler (and heat shield) by sliding the hangers out of the rubber isolators.
4. Remove the driver and passenger seats to expose the engine access panel.
5. Remove the access panel and heat shield plate.
6. Remove the six (6) bolts securing the exhaust pipe flange to the engine exhaust ports. Do not discard the bolts.
7. Remove the Exhaust pipe.

Installation of MBRP Inc. Exhaust:

*Note: For 2011 and 2012 models, it will be necessary to position the oil lines away from the **LHS Exhaust Pipe**. Remove the plastic push pin from the lower inside corner of the cable cover behind the oil lines (**Figure 1**). Using the supplied **Cable Tie**, tie the oil lines to the cover hole and secure them away from the exhaust (**Figures 2 & 3**).



Figure 1



Figure 2



Figure 3

1. Insert the front of the LHS and RHS exhaust pipes into the left and right exhaust ports.

2. **Loosely** install the six (6) bolts into the exhaust pipe flanges. The pipes should be fully inserted into the recess of the exhaust port but still remain free to rotate. (**Figure 4**)

3. Remove the (1) bolt on each side of the rear frame which connects the bumper support frame to the vehicle frame.

4. Slide the **LHS Muffler Band** (with **Isolator**) over the **Muffler**, then place the Muffler inlet onto the **LHS Exhaust Pipe** flare. Secure the **Muffler** loosely to the pipe using one of the **Clamps** provided. This step may require two (2) people as it will be necessary to support the muffler while securing the clamp.

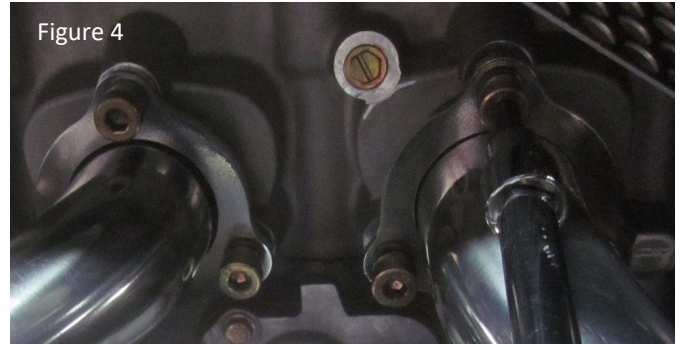


Figure 4

5. Position the **Muffler** and **Muffler Band** into position, such that the bolt removed in Step 3 can be inserted through the Muffler Band holes and installed back onto the vehicle frame. (**Figure 5**)

6. Ensure the **Muffler** is aligned properly (PowerTech 4 text on the tip should face squarely upward) and tighten the **Muffler Band** to the frame. Note that the muffler may rotate inward when the band is being tightened and some adjustments may be necessary. Prior to fully tightening the **Muffler Band**, tighten the **Clamp** completely.

7. Tighten the three (3) bolts to fully secure the **Exhaust Pipe** flange.

8. Repeat steps 4-7 for the **RHS Exhaust Pipe** and **Muffler**.

9. Ensure there is adequate clearance between all hoses and/or wires and the exhaust, and then reinstall the heat shield plate, access panel, and seats.

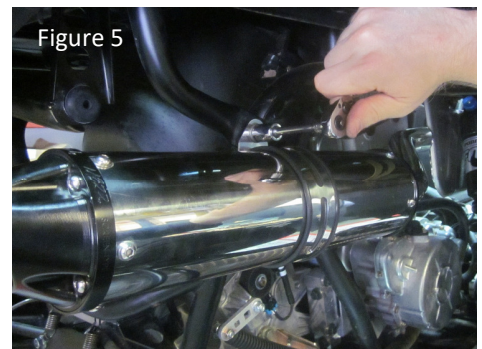


Figure 5

Congratulations! You are ready to begin experiencing the improved performance and driving excitement of your MBRP Inc. Side-by-Side Exhaust upgrade. We know you will enjoy your purchase.



Figure 1



Figure 2



Figure 3



Figure 4

Spark Arrestor Maintenance

In order to maintain optimal performance, the spark arrestor screen should be cleaned after every 30-35 hours of use.

Clean-out Instructions:

Make sure the vehicle is cool before completing the clean-out procedure.

1. Using a 4mm hex key, remove the 4 screws securing the outlet cap. **(Figure 1)**
2. Remove the outlet cap to expose the spark arrestor screen insert. **(Figure 2)**
3. Remove the screen insert. **(Figure 3)**
4. Using a wire brush, thoroughly brush the screen to remove residue. **(Figure 4)**
5. Replace the screen and cap.
6. Tighten the screws to 60 in-lbs (6.8 Nm).